

LED technology



ZA292L

LED inset omnidirectional taxiway light

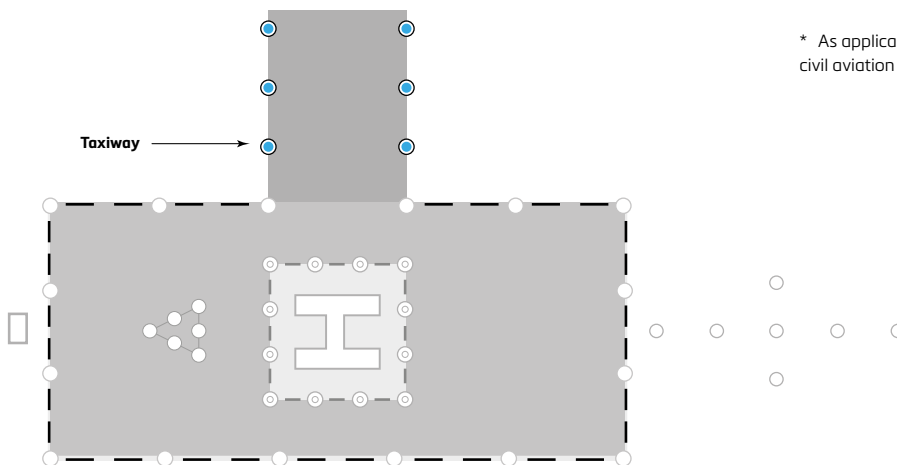
Applications

CAT III all weather operation airfield ground lighting (agl) systems.

Compliant with Latest International Standards*

- ▶ ICAO Annex 14. Vol 1
- ▶ FAA AC 150/5345-46
- ▶ FAA Engineering Brief No. 67
- ▶ IEC 61827
- ▶ EASA
- ▶ Stannag 3316 (NATO)

* As applicable to the application, compliance with other civil aviation and military regulations confirmed on request



UK: +44 (0) 1942 68 5555 | USA: 001 (239) 985-9406

www.atgairports.com | products@atgairports.com | sales-usa@atgairports.com

ZA292L

ZA292L LED inset omni directional taxiway light



Electrical Performance

Application	Photometry				Colour	Typical Power Consumption - Watts (VA) @ 6.6A					
	ICAO (Para)	FAA (Table)	Main Beam Aperture Horiz(°) Vert(°)	Per Beam Watts		Fitting* Watts (VA) PF	Tx Primary** Watts (VA) PF	TX			
Taxiway Edge (Omni)	5.3.18.7/8	3 Note (b)	0°-359° 0°-6°	Blue	0.75	4.60 (4.67) 0.987	12.8 (13.6) 0.94	10W			
Taxiway Edge (Omni)	5.3.18.7/8	3 Note (b)	0°-359° 0°-6°	Blue	0.75	4.62 (4.66) 0.992	13.9 (15.7) 0.89	25W			
Taxiway Edge (Omni)	5.3.18.7/8	3 Note (b)	0°-359° 0°-6°	Blue	0.75	4.61 (4.65) 0.994	16.1 (19.7) 0.82	45W			

* as measured at the input leads of the fixture.

** as measured across the primary winding of an appropriately sized isolation transformer with a total fixture and transformer secondary length not exceeding - 1.85m (72"). CCR shall be suitably sized for the indicated transformer VA for the relevant isolating transformer utilised.

Notes: Isolating transformer shall be suitably sized to accommodate specific secondary and other applicable losses.

Environmental Conditions

- ▶ Ambient Temperature -55 °C to +55°C (-67 °F to +131°F)
- ▶ Storage Temperature -55°C to +55°C (-67 °F to +131°F)

▶ Ingress Protection IP67

Photometry

Specification

Elevated Edge

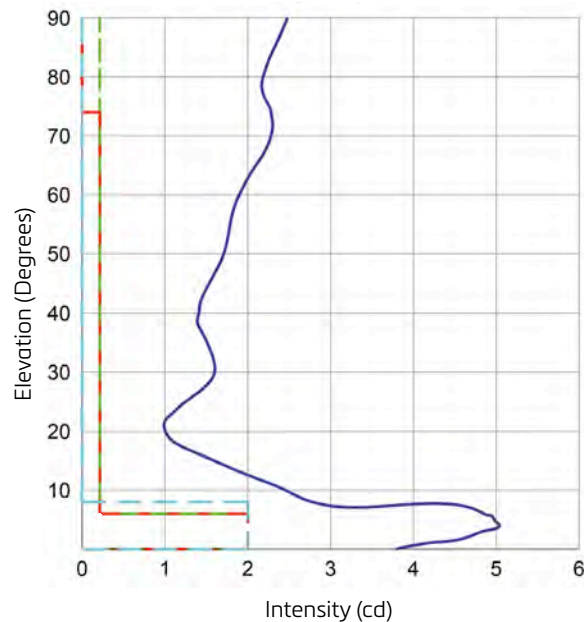
Colour	Blue
Main rect. minimum intensity 0°-6°	2 cd
Second rect. minimum intensity 6°-90°	0.2 cd

Typical Measured Values

Elevated Edge

Colour	Blue
Main rect. minimum intensity 0°-6°	3.0 cd
Main rect. minimum intensity 0°-8° (Stannag)	2.6 cd
Second rect. minimum intensity 6°-90°	1.0 cd

Photometry vs. Specification



— IR852T(L) Performance @ 6.6A

Specification

- ICAO Annex 14, EASA, CAP 168, FAA-46D
- IEC61827
- Stannag 3316

UK: +44 (0) 1942 68 5555 | USA: 001 (239) 985-9406

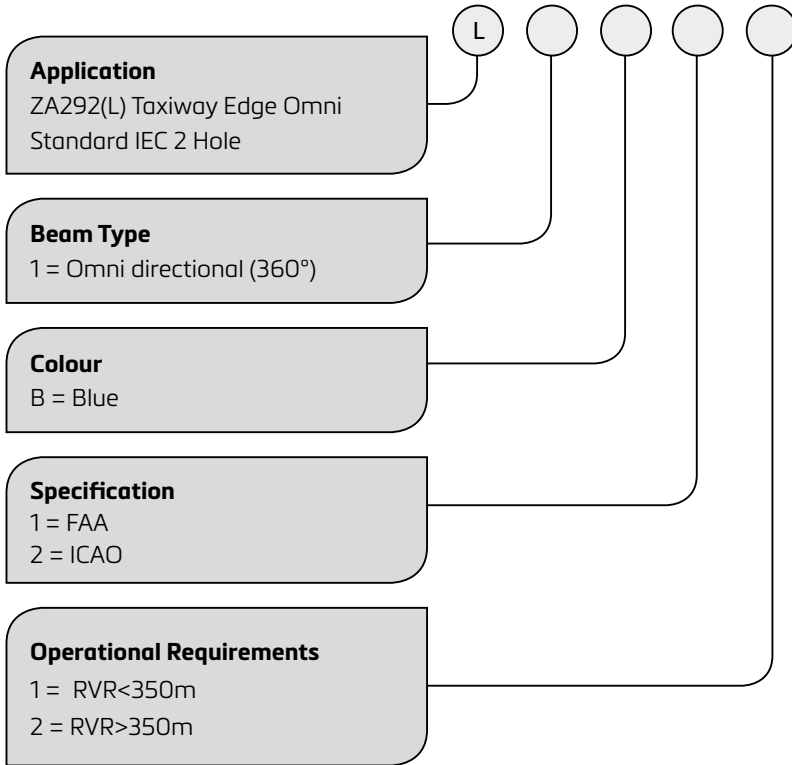
www.atgairports.com | products@atgairports.com | sales-usa@atgairports.com

ZA292L

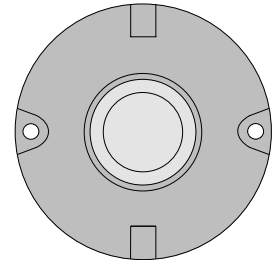
ZA292L LED inset omni directional taxiway light



Ordering Codes ZA292



Beam Options



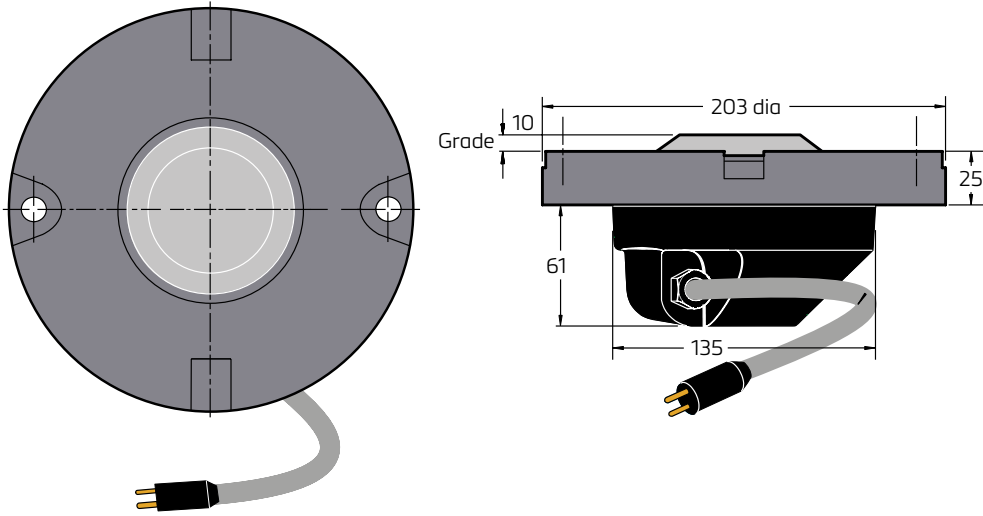
ZA292L
Omni Directional 360°

* Other seating/mounting configurations are available on request.

ZA292L LED inset omni directional taxiway light



Dimensions



Packaging

- ▶ Net weight 3kg
- ▶ Gross weight 3.5kg
- ▶ Box 230mm(w) x 230mm(d) x 146mm(h)

Consultants specification and installation information for the Iris range is available by request. Contact marketing@atgairports for further details.



atg airports ltd
Lowton Business Park | Newton Road
Lowton St. Mary's | Warrington
WA3 2AP | United Kingdom

atg airports inc
7857 Drew Circle #11
Fort Myers | Florida 33967
USA



UK: +44 (0) 1942 68 5555 | USA: 001 (239) 985-9406

www.atgairports.com | products@atgairports.com | sales-usa@atgairports.com

ZA292L